

NEW

Suitable for the range of TECE push plates.



TECE flushing technology

The new flush-mounted cistern from TECE –
with a depth of only 8 cm

TECE:

intelligent housing technology

The 8 cm flush-mounted cistern from TECE fits in every wall.

The TECE cistern is extremely flat and thus ideal for installation in 8 cm masonry. The construction is based on German know-how and is the product of many years of experience of TECE in the field of flushing technology.

**One argument alone speaks in favour of TECE cistern:
The wide range of push plates.**



One of many: TECEloop push plates made of glass.

- Completely pre-mounted cistern – simply connect it up and that's it!
- Water saving dual flush system (4.5 / 3 litres, 6 / 3 and 9 / 3 litres)
- 9.5 litre safety tank, enough water when it matters
- Smallest push plates on the market
- Easy servicing on account of bendable drain valve
- Low-noise hydraulic fill valve
- Single or dual flush system – using the same internal mechanism





The sealed cistern:

An asset in safety.

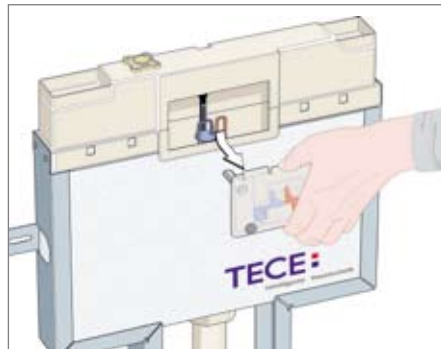
TECE cisterns are pre-assembled ex factory, so they only have to be connected to the water pipes for fitting in the shell structure. The cistern needs to be opened only for fine tuning. It is fitted with a seal to prevent opening.

An undamaged seal means:

- The inside of the cistern is complete and clean.
- The corner valve is closed, so that the cistern does not have to be opened for pressure testing.
- No unauthorised parties have opened the cistern.

Installation and mounting

Owing to the trendy small push plates, the TECE cistern also has a relatively small service opening. Despite of the small push plate it is easy to connect and service on account of the sophisticated details, such as the bendable drain valve.



The protective plate is a compact unit consisting of splash guard, lever mechanism and fixing device, which can be removed easily.



After the shell construction stage: The reinforced pipe is attached to the plug connection on the filling valve with no need for tools.



For servicing, the complete unit with lever mechanism, cover, splash guard and mounting plate can be removed. All settings are retained.



Removal of the drain valve: Step 1

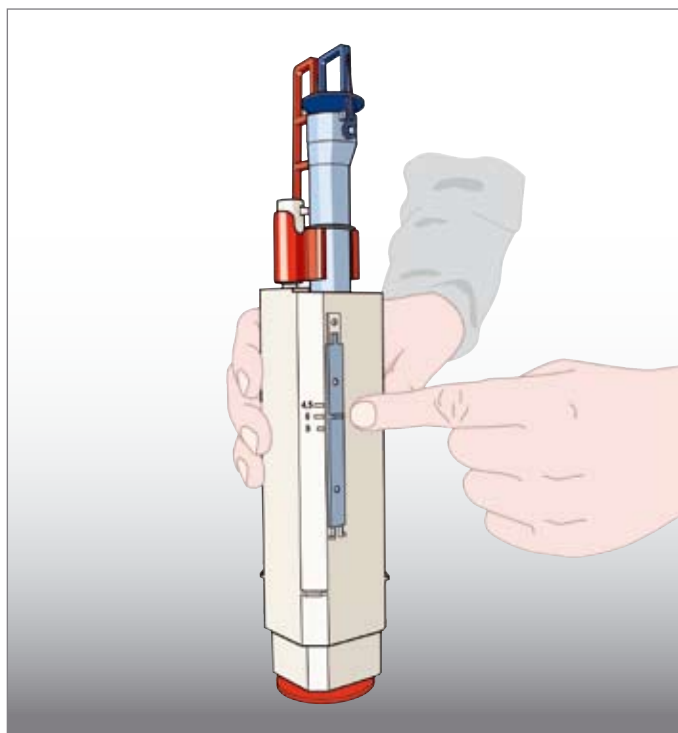


Removal of the drain valve: Step 2

Saving water is all very fine, but thorough flushing is also important.

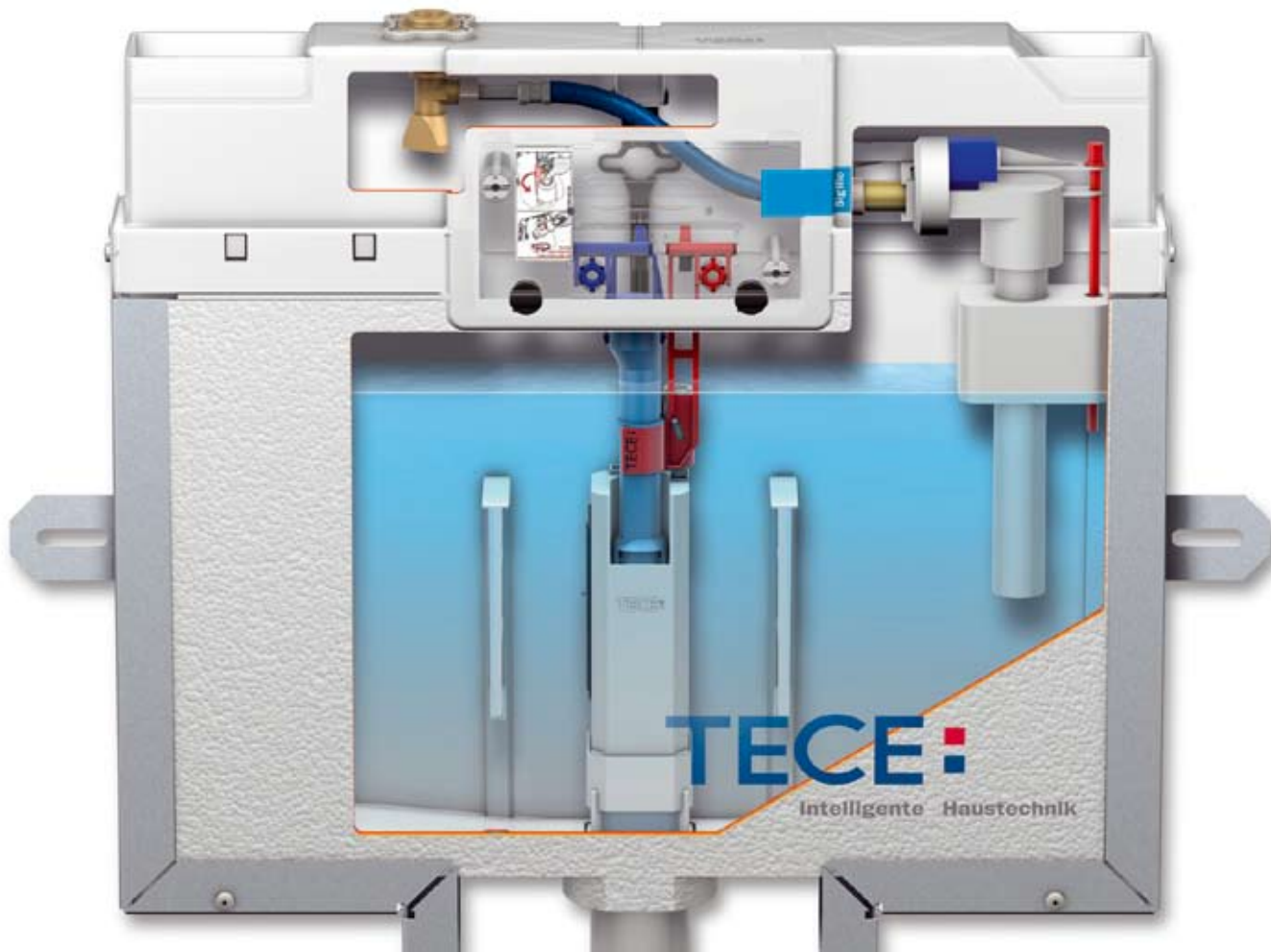
Depending on the condition (waste water system, toilet ceramics, et cetera), different flushing volumes can be set on the drain valve.

- The TECE cistern can be set to a high flush volume (9 litres) if required. This means that reliable flushing of the drainpipes is ensured even under less than ideal conditions.
- Dual flush option to save water (4.5 / 3, 6 / 3 or 9 / 3 litres).
- Single flush option: Complete certainty with every flush: choice of either 4.5 / 6 or 9 litres.
- Residual water volume for additional flushing power, can be used for immediate after-flush when required.



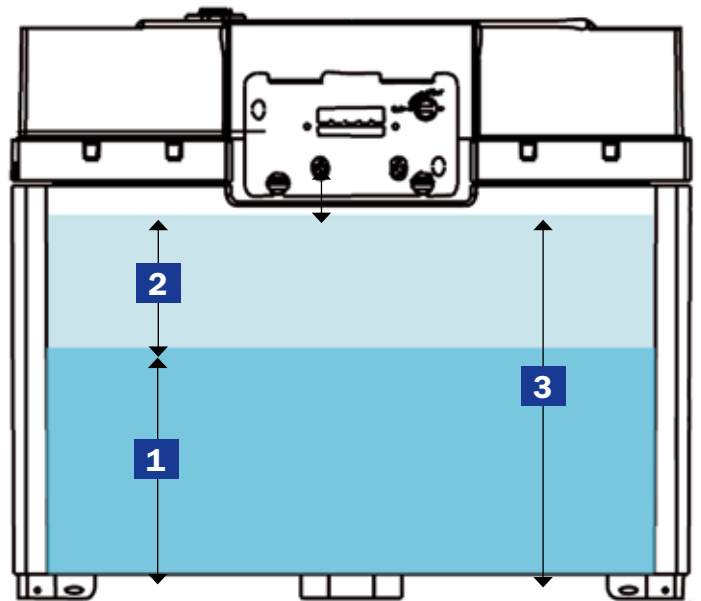
Adjustment of the flushing volume at the drain valve.

Clearly arranged equipment:
The TECE 8 cm cistern on the inside.



Adjustment of the flushing volume: Saving water with the dual flush system: (4.5 / 3, 6 / 3 or 9 / 3 litres)

- The standard setting is 6 / 3 litres.
- If and when required, the flushing volume can be increased or reduced very easily.
- Single flush option: 4.5 / 6 or 9 litres can be chosen for every flush.



9.5 litre safety tank

- 1** 6 litre standard flushing volume
- 2** 3.5 litre after-flush volume, when required
- 3** 9.5 litre cistern volume

Saving water with the dual flush system

The illustration demonstrates the saving effect caused by the dual flush system in a household with four persons. The chart shows the saving effect that can be achieved using the dual flush option in a four-person household each year. The figures are based on five flushes per person per day (1 x full, 4 x reduced volume).

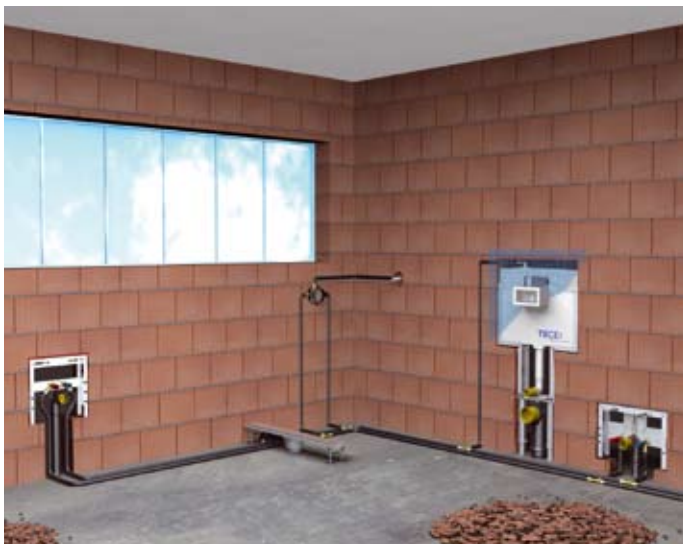
Result: With respect to functionality and economy, it is only the dual flush system that produces an ideal result.





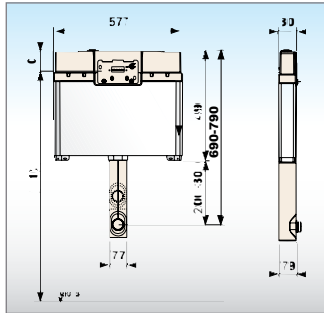
In front of and behind the wall – engineering and design from TECE

The toilet module range comprises four mounting variants with TECE cisterns for all conventional mounting situations. The range includes a bidet and washstand module. Call us and we will advise you on the easy sanitary connection with TECEflex multi-layer composite pipes or on our range for floor-level shower channels “TECEdrainline”.



Module range with four mounting variants

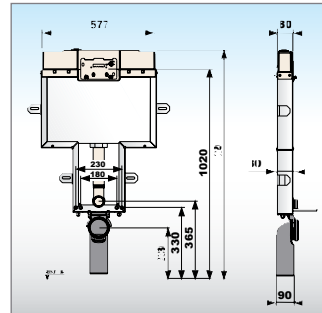
All modules use the 8 cm cistern from TECE. It is pre-mounted and sealed, and has a 9.5 litre safety tank insulated against condensate water and fitted with a water-saving dual flush system (3 litres reduced flushing volume – 4.5 / 6 / 9 litres full flushing volume). The cistern is compatible with all TECE push plates (TECEloop, TECEplanus, TECEambia, toilet flush handles), and can be used as single flush or dual flush cistern depending on the push plate.



Brick wall cistern TECEbox basic for pedestal WCs

With armouring net, fastening straps and adjustable / shortenable flush pipe protected against condensate water.

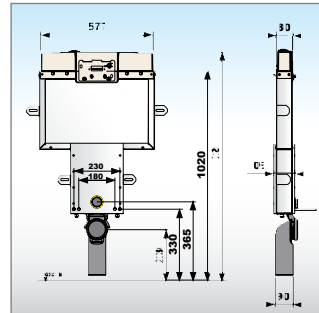
Order No. 9.370.007



Brick wall cistern TECEbox basic for wall-hung WCs

With armouring net and circumferential steel groove with fastening straps. Ceramic mounting space 180 or 230 mm.

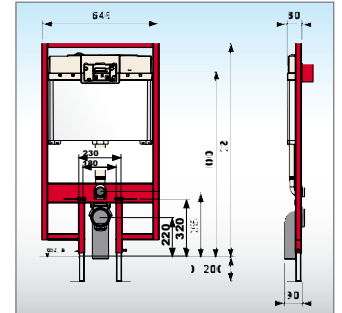
Order No. 9.370.008



Brick wall cistern TECEbox basic for wall-hung WCs, sound-suppressed

With armouring net and circumferential steel groove with fastening straps. Ceramic mounting space 180 or 230 mm. The lower mounting space is sheathed with an additional glass-fibre light-weight concrete slab of 12.5 mm and the hollow space is filled with sound-absorbing mineral wool. Thus, sound transmission is reduced to a minimum. The toilet drain bend is insulated against sound as well. With sound absorption set to be mounted between ceramic and structure.

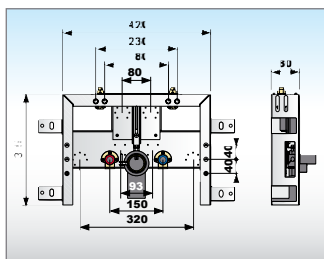
Order No. 9.370.009



TECEprofil toilet module to be mounted in metal frame walls or in front of solid walls

Stable powder-coated steel frame and height-adjustable standing legs. Ceramic mounting space 180 or 230 mm.

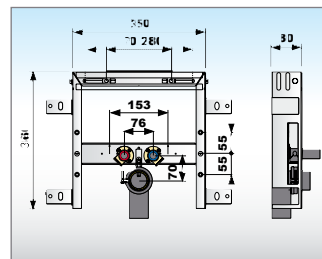
Order No. 9.300.040



Brick wall bidet module TECEbox, depth 8 cm

To be mounted in the wall or in front of a massive wall. Steel groove with wall discs 1/2" x 1/2" and 50 mm drain bend. Ceramic mounting space 180 or 230 mm.

Order No. 9.370.031



Brick wall washstand module TECEbox, depth 8 cm

To be mounted in the wall or in front of a massive wall. Steel groove with wall discs 1/2" x 1/2" and 50 mm drain bend. Ceramic moveable mounting space.

Order No. 9.370.032



Flush handle with rotary mechanism, only available for TECE cistern (picture: il bagno Alessi by Oras)

The customer can chose from a wide range of TECE push plates

from the TECE push plate programme. For more information, please refer to the brochure „Toilet push plates for TECE cistern“.



TECEloop series

Push plates made of plastic and glass. Many combination options of material and colour.



TECEplanus series

Push plates made of metal. Robust and vandal-proof. For single and dual flush system.



TECEambia series

Push plates made of plastic. In many different surfaces. For single and dual flush system.



Flush handles

With rotary mechanism. Suitable for the fitting series of renowned manufacturers.

TECE GmbH

Export Department
Hollefeldstraße 57
D-48282 Emsdetten

Phone +49 25 72/928-130
Fax +49 25 72/928-204

www.tece.de

TECE:

intelligent housing technology